

ORIGINAL MINI ACCESSORIES. INSTALLATION INSTRUCTIONS.



MINI Click & Drive System Retrofit MINI (F56)

Retrofit kit number

65 90 2 357 445 MINI Click & Drive System retrofit kit

Installation time

The installation time is **approx. 0.75 hours**. This may vary depending on the condition of the car and the equipment in it.

Important information

These installation instructions are primarily designed for use within the MINI dealership organisation and by authorised MINI service companies.

In any event the target group for these installation instructions is specialist personnel trained on MINI cars with the appropriate specialist knowledge.

All work must be completed using the latest MINI repair manuals, wiring diagrams, servicing manuals and work instructions, in a rational order, using the prescribed tools (special tools) and observing current health and safety regulations.

If you experience installation or function problems, restrict troubleshooting to approx. 0.5 hours for mechanical work and 1.0 hour for electrical work.


To avoid unnecessary extra work and/or costs, send an inquiry straight away to the technical parts support team via the Aftersales Assistance Portal (ASAP).

Quote the following information:

- Vehicle identification number,
- Retrofit kit part number,
- A detailed description of the problem,
- Any work already carried out.

Do not archive the hard copy of these installation instructions since daily updates are provided via ASAP!

Pictograms

 Denotes instructions that draw your attention to dangers.

 Denotes instructions that draw your attention to special features.

Denotes the end of the instruction or other text.

Installation information

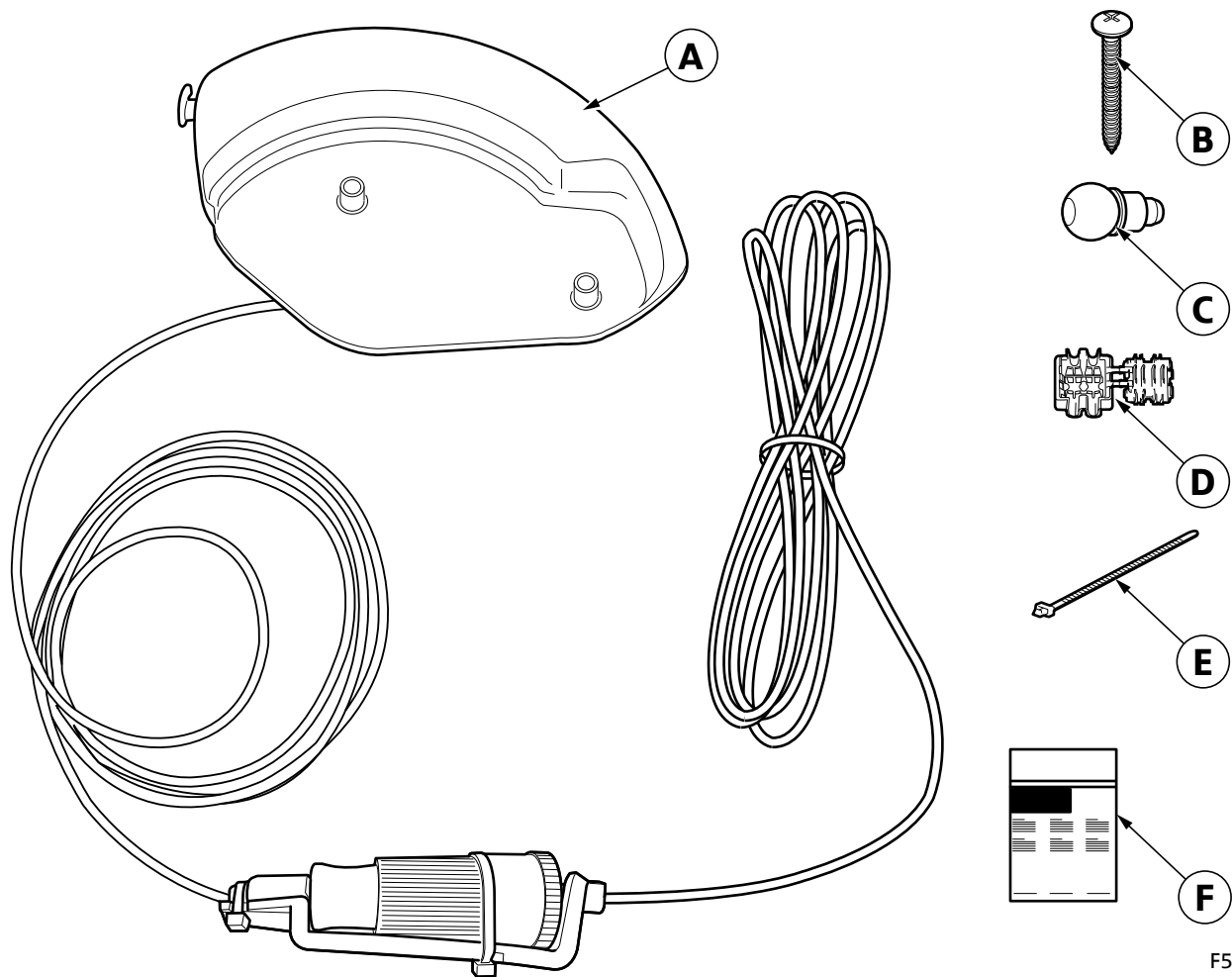
Ensure that the cables and/or lines are not kinked or damaged as you install them in the car. Costs arising from this will not be reimbursed by BMW AG.

Additional cables/wires that you install must be secured with cable ties. If the specified PIN chambers are occupied, bridges, double crimps or twin-lead terminals must be used.

All pictures show LHD cars; proceed accordingly on RHD cars.

Section	Page
1. Parts list for retrofit kit	3
2. Preparatory work	4
3. Retrofit wiring harness connection diagram	5
4. Installation and cabling diagram for LHD cars	6
5. Installation and cabling diagram for RHD cars	7
6. Installing the Click & Drive System	8
7. Concluding work and coding	10
8. Wiring diagram	11

1. Parts list for retrofit kit



Legend

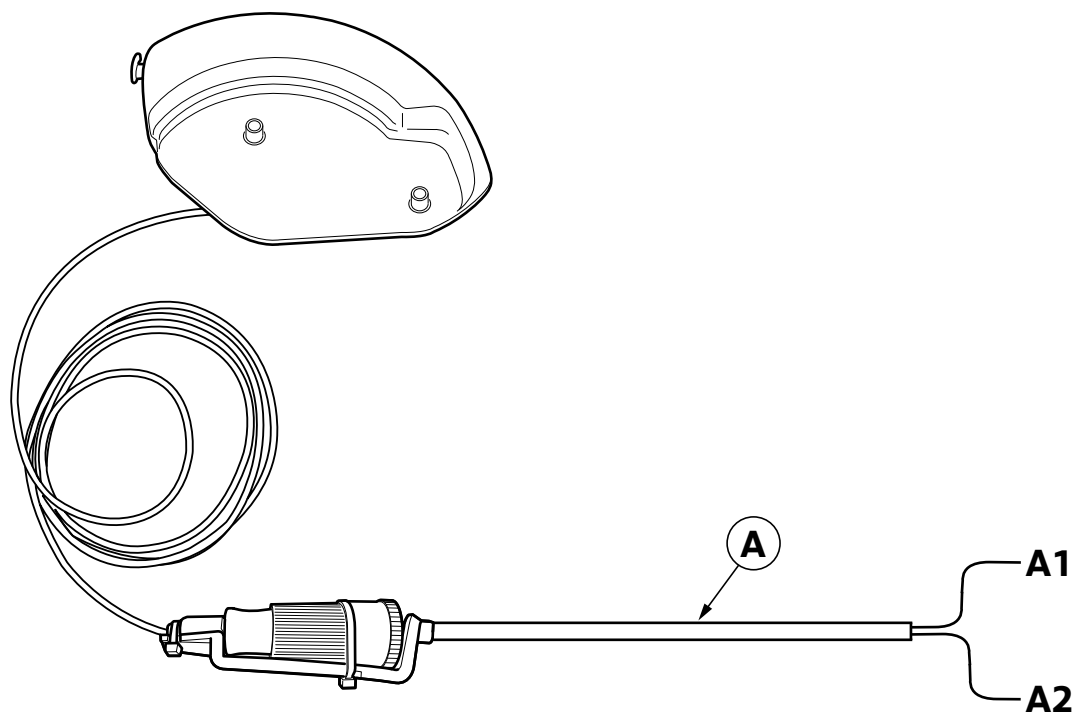
- A** Cradle
- B** Screw (2 x)
- C** Ball holder
- D** Miniature connector (2 x)
- E** Cable tie (5 x)
- F** Installation information (give to the customer)

F56 0016 Z

2. Preparatory work

	ISTA No.
Disconnect the negative battery cable	61 20 900
The following components must be removed first of all	
Instrument panel	62 11 280
(Interior) door sill cover strip, passenger side	51 47 000
Footwell side trim on the A-pillar, passenger side	51 43 075

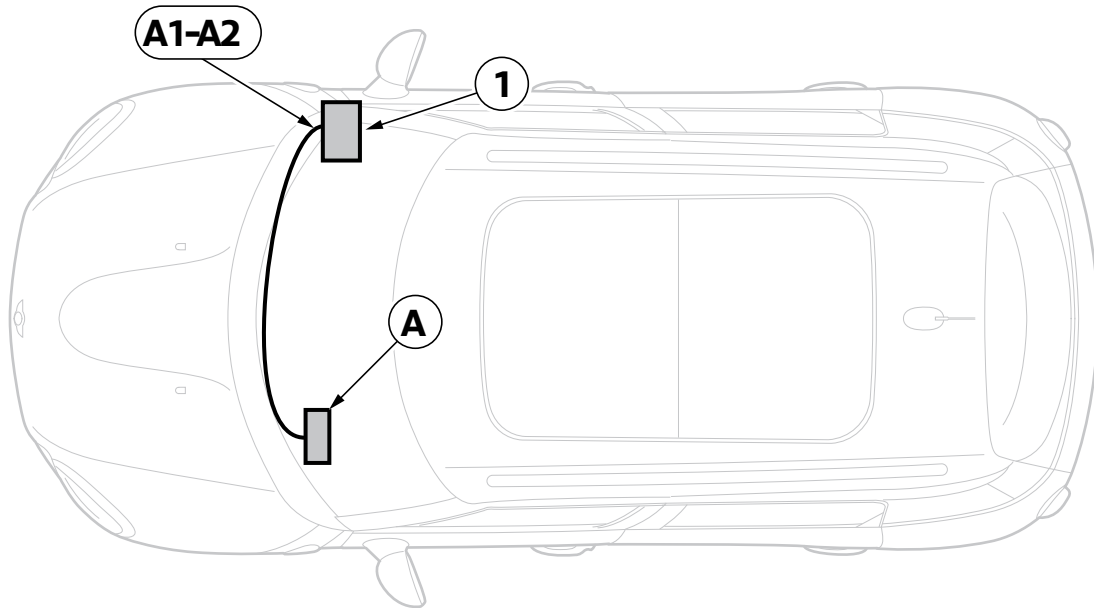
3. Retrofit wiring harness connection diagram



F56 0028 Z

Item	Designation	Signal	Cable colour/ cross-section	Connection location in the car	Abbreviation/ slot
A	Cradle	---	---	---	---
A1	Open cable	Terminal 15	SW 0.35mm ²	With miniature connector D to cable from plug BDC	A258*3B PIN 20
A2	Open cable	Terminal 31	BR 0.35mm ²	With miniature connector D to cable from plug BDC	A258*3B PIN 24

4. Installation and cabling diagram for LHD cars



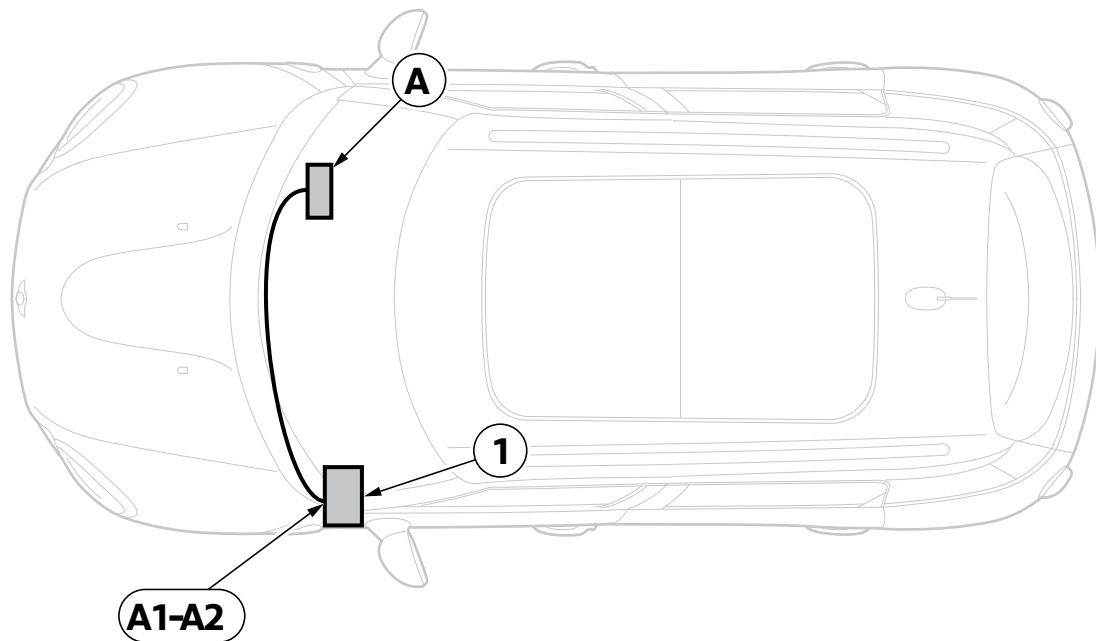
F56 0047 Z

A Cradle

A1-A2 Power supply cable from cradle **A**

1 Body Domain Controller (BDC) **A258** plug **A258*3B**, SW 54-pin socket casing

5. Installation and cabling diagram for RHD cars



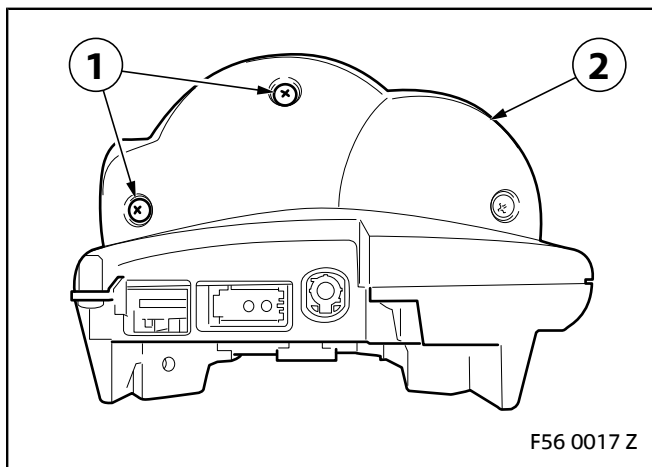
F56 0050 Z

A Cradle

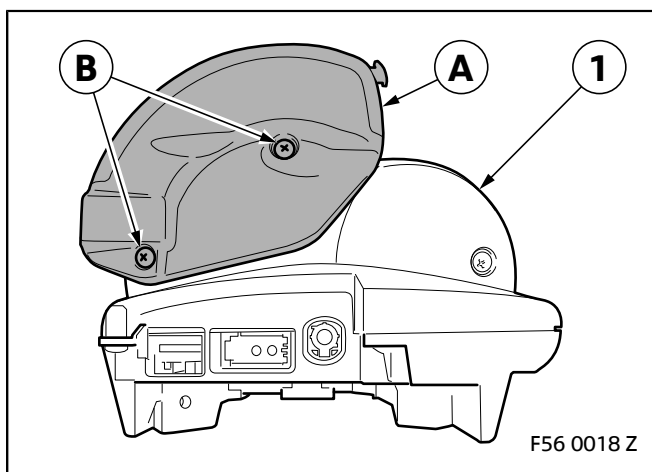
A1-A2 Power supply cable from cradle **A**

1 Body Domain Controller (BDC) **A258** plug **A258*3B**, SW 54-pin socket casing

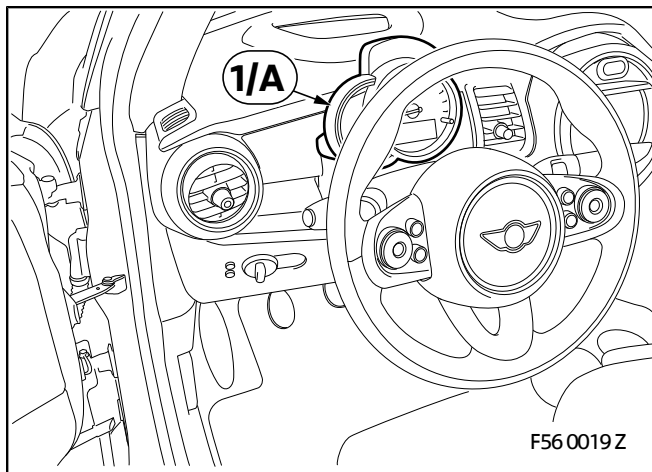
6. Installing the Click & Drive System



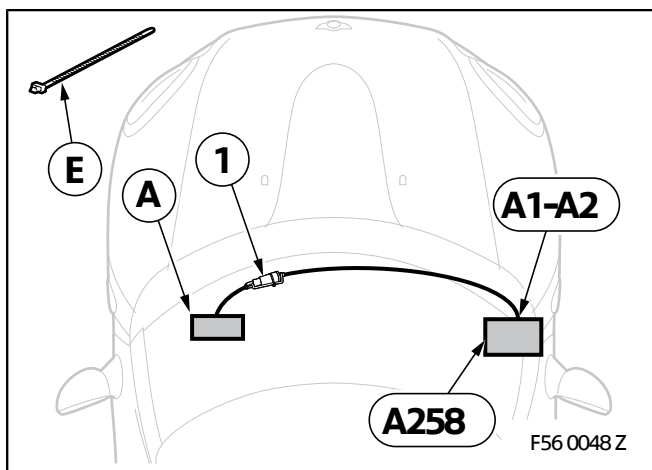
Undo screws (1) on the instrument cluster (2) (no longer required).



Screw cradle **A** using screws **B** onto the instrument cluster (1).



Install instrument cluster (1) with cradle **A**.

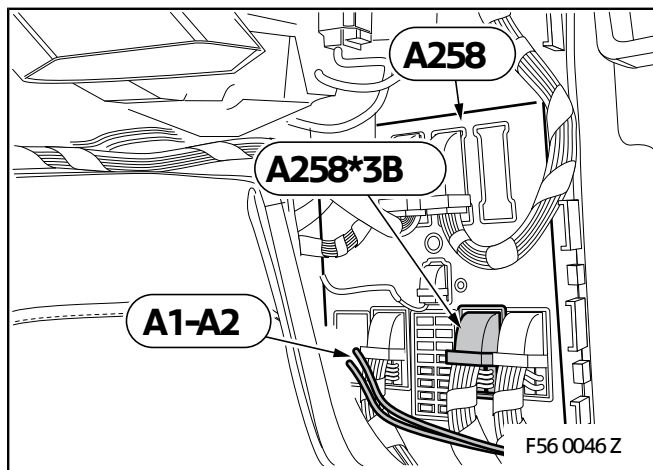


▶ The illustration shows an LHD car. Proceed in the same manner but mirrored for RHD cars. ◀

Route branches **A1-A2** of cradle **A** inside the dashboard to the installation point of BDC **A258** on the A-pillar on the passenger side.

Secure the plug connection (1) at a suitable point using cable ties **E**.

6. Installing the Click & Drive System



Shorten the retrofit cable to the required length, expose branches **A1-A2** and connect using miniature connector **D** as follows to the cables of plug **A258*3B** on BDC **A258**:

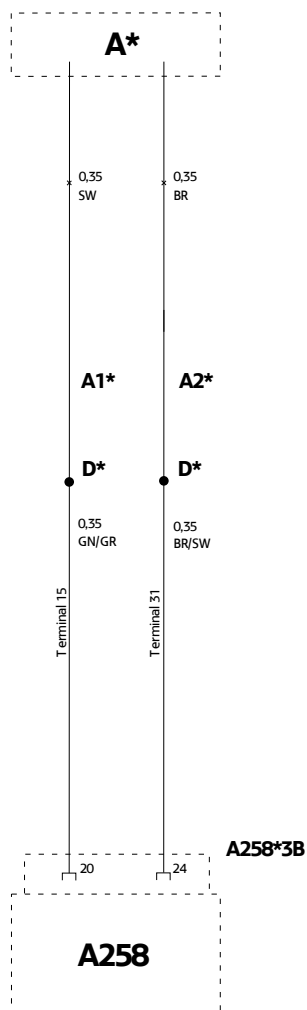
- Branch **A1**, SW cable, to GN/GR cable from PIN 20
- Branch **A2**, BR cable, to BR/SW cable from PIN 24

7. Concluding work and coding

The retrofit system does not require programming / coding.

- Connect the battery
- Re-assemble the car in a logical manner
- Give all non-installed parts and the installation information to the customer

8. Wiring diagram



F56 0049 Z

Legend

A* Cradle
D* Miniature connector

A1* Open cable SW
A2* Open cable BR

A258 Body Domain Controller **BDC** on A-pillar passenger side

A258*3B SW 54-pin socket casing on **BDC**

All the designations marked with an asterisk (*) apply only to these installation instructions or this wiring diagram.

Cable colours

BL	Blue	GR	Grey	RT	Red
BO	Bordeaux (Burgundy)	L-GN	Light green	SW	Black
BR	Brown	NT	Natural	TR	Transparent
GE	Yellow	OR	Orange	VI	Violet
GN	Green	RO	Pink	WS	White